



# GMB SERIES TRIM DUO

STRAIGH JET NOZZLES  
WITH DOUBLE ORIFICE

# GMB SERIES | TRIM DUO



The Trim Duo straight jet nozzle is the new paper trim nozzle from PNR Italia.

Available with a ruby insert, it is specifically designed to provide two solid water jets from a single nozzle.

The ruby insert provides excellent erosion resistance to liquid flow while optimizing nozzle life.

The geometry of the nozzle terminal with an inclined cut allows the direction of the accumulation of drops of stagnation water out of the working area.

The two orifices of the GMB series are made on the ruby disc, while the body is entirely built in AISI 316L.

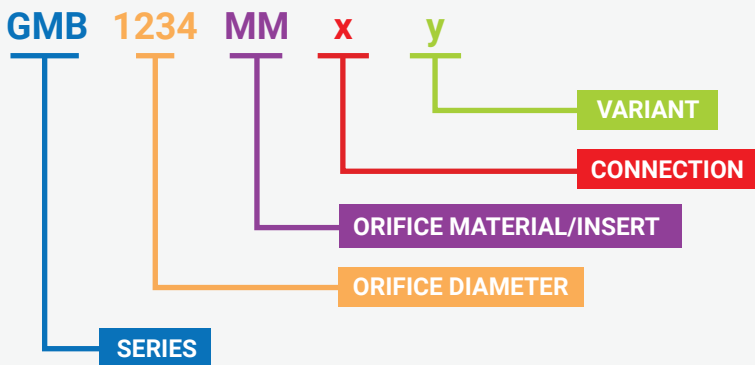
The working pressure of Trim Duo can reach 70 bar.

Various attachment sizes are available to fit all existing systems.

Various orifice sizes complete the GMB range.



## PNR CODING



## APPLICATIONS

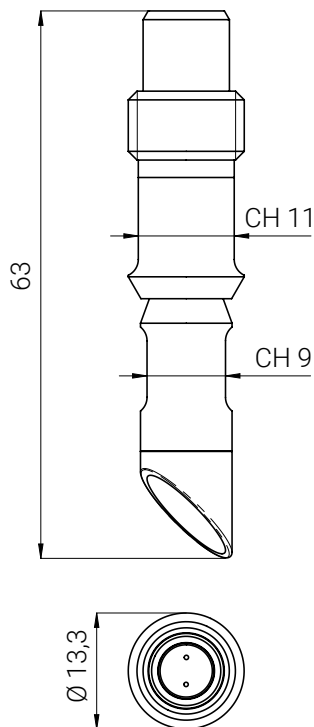
- Paper cutting and trimming

## TECHNICAL DATA

<b>ORIFICE MATERIAL</b>	Ruby disc
<b>BODY MATERIAL</b>	AISI 316L stainless steel
<b>CONNECTION</b>	G = 1/4" BSPP M = Metric M10x0.75
<b>VARIANT</b>	If omitted, it is absent
<b>ADAPTERS</b>	3/8" BSPT/NPT -> 1/4" BSPP 3/8" BSPT/NPT -> M10 x 0.75 with or without filter

CODE	2x Ø Orifice		Flow rate [lpm] vs Pressure		
	[mm]	[mil]	@ 6,89 bar (100 psi)	@ 27,6 bar (400 psi)	@ 68,9 bar (1000 psi)
<b>GMB 0250 F31 x</b>	0,254	10,0	0.136	0.276	0.435
<b>GMB 0380 F31 x</b>	0,381	15,0	0.310	0.620	0.980
<b>GMB 0400 F31 x</b>	0,406	16,0	0.348	0.681	1.098
<b>GMB 0450 F31 x</b>	0,457	18,0	0.447	0.893	1.412
<b>GMB 0500 F31 x</b>	0,508	20,0	0.553	1.102	1.741
<b>GMB 0600 F31 x</b>	0,609	24,0	0.795	1.590	2.513
<b>GMB 0700 F31 x</b>	0,711	28,0	1.079	2.158	3.414
<b>GMB 0800 F31 x</b>	0,838	33,0	1.499	-	-
<b>GMB 0900 F31 x</b>	0,889	35,0	1.684	-	-
<b>GMB 1000 F31 x</b>	1,010	40,0	2.203	-	-

## DIMENSIONAL DRAWING



*GMB with a working pressure of 70 bar*