



UBQ SERIES

HIGH-PRESSURE
WASHING HEAD

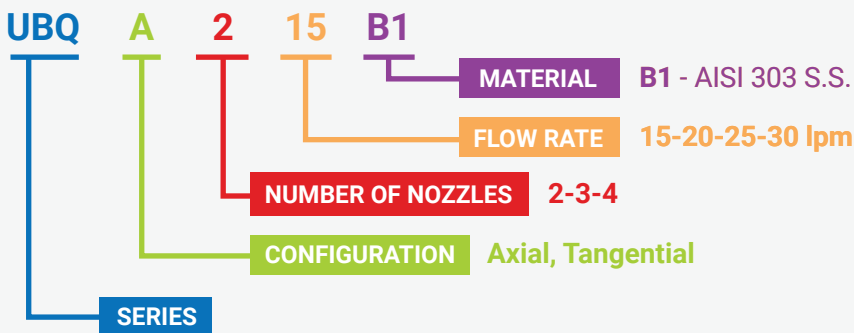
UBQ SERIES



The UBQ washing head is a high-pressure cleaning device for small and medium-sized car parts, bins, and cans. Technologically advanced and sophisticated but at the same time robust, the UBQ washing head is reliable in various applications that require high-pressure washing of persistent residues. An hydraulic engine keeps the rotating part of the spray ball in motion. Thanks to its design, the device does not require oils or greases for lubrication. The main innovation of the UBQ head lies in its rotating head. Depending on the application and cleaning needs, the position of the nozzles can vary in different configurations for a total of 6 different angles. 12 enclosures can accommodate a minimum of 2 up to a maximum of 4 F nozzles simultaneously. The flat jet nozzles F are designed explicitly for high-pressure washing. Their internal geometry ensures uniform jet distribution and highly effective cleaning action. The head is available in the axial configuration - with an integrated filter - or tangential. Made of AISI 303 stainless steel, the UBQ washing head has a flow rate ranging from 15 to 30 liters per minute to a maximum of 150 bar. The disposal of spent cleaning liquids represents an expensive activity in company budgets. The high-pressure washing heads allow a substantial reduction of this asset, thanks to the reduced water consumption. Thanks to the high impact force of the jets, the high-pressure washing heads use on average less liquid for cleaning than the lower pressures washing heads, with substantial long-term savings.



PNR CODING



APPLICATION

- Washing of moving objects
- Bins washing
- Car washes

TECHNICAL DATA

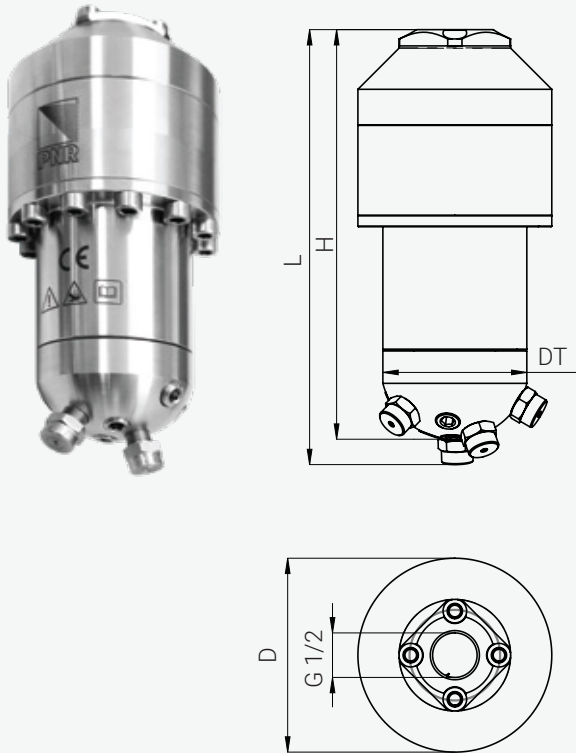
FLOW RATE	15-20-25-30 l/min
TEMPERATURE MAX	90°C
MATERIAL	AISI 303 stainless steel
PRESSURE MAX	150 bar
CONNECTION	Water inlet <i>axial version</i> : 1/2" G Water inlet <i>tangential version</i> : 3/8" G
NOZZLE THREAD	1/8" BSPP
NOZZLE POSITION	2 x 6 angles

AXIAL CODE	LITERS PER MINUTE [lpm] @ 100 bar	INLET NOZZLE DIMENSION [mm]	WATER INLET CONFIGURATION AND CONNECTION	NUMBER OF NOZZLES
UBQ A215 B1	15	/	1/2"G	2
UBQ A315 B1	15	/	1/2"G	3
UBQ A415 B1	15	/	1/2"G	4
UBQ A220 B1	20	/	1/2"G	2
UBQ A320 B1	20	/	1/2"G	3
UBQ A420 B1	20	/	1/2"G	4
UBQ A225 B1	25	/	1/2"G	2
UBQ A325 B1	25	/	1/2"G	3
UBQ A425 B1	25	/	1/2"G	4
UBQ A230 B1	30	/	1/2"G	2
UBQ A330 B1	30	/	1/2"G	3
UBQ A430 B1	30	/	1/2"G	4

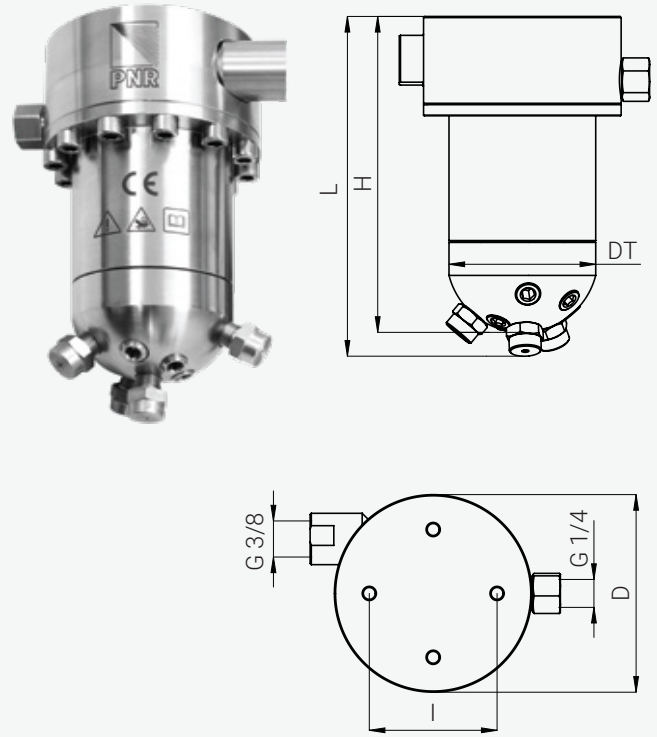
TANGENTIAL CODE	LITERS PER MINUTE [lpm] @ 100 bar	INLET NOZZLE DIMENSION [mm]	WATER INLET CONFIGURATION AND CONNECTION	NUMBER OF NOZZLES
UBQ R215 B1	15	2	3/8"G	2
UBQ R315 B1	15	2	3/8"G	3
UBQ R415 B1	15	2	3/8"G	4
UBQ R220 B1	20	2.5	3/8"G	2
UBQ R320 B1	20	2.5	3/8"G	3
UBQ R420 B1	20	2.5	3/8"G	4
UBQ R225 B1	25	2.5	3/8"G	2
UBQ R325 B1	25	2.5	3/8"G	3
UBQ R425 B1	25	2.5	3/8"G	4
UBQ R230 B1	30	3	3/8"G	2
UBQ R330 B1	30	3	3/8"G	3
UBQ R430 B1	30	3	3/8"G	4

MODEL	H [mm]	L max [mm]	DT [mm]	D [mm]	I [mm]
AXIAL	177	187	62	83,5	/
TANGENTIAL	134	144	62	83,5	54

AXIAL MODEL



TANGENTIAL MODEL



NOZZLE ARRANGEMENT CONFIGURATIONS

