



UKK SERIES

RETRACTING
CLEANING HEAD

UKK SERIES



UKK is a retractable tank washing head designed for cleaning small containers, tanks, and pipes. Thanks to its small size and unique design, UKK can be installed flush with the wall and is an ideal cleaning product where traditional systems have difficulty accessing and operating.

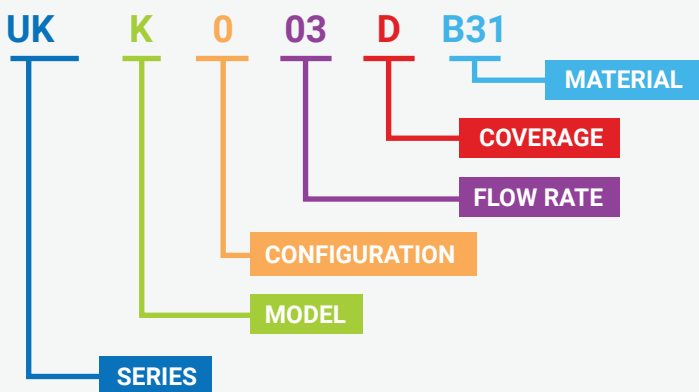
Its characteristics make UKK an ideal product in the chemical and pharmaceutical sectors, and the FCMs certification also allows it to be used in the food and beverage sector.

The operation of this cleaning head is simple but highly effective: with an adequate pressure of the feed liquid (between 3 and 7 bar), the nozzle extends by 50 mm and starts the washing action. The flow rate is 35.5 lpm at 3 bar of operation.

UKK is available in AISI 316 steel as a standard material with the possibility of using other metallic materials such as Hastelloy.



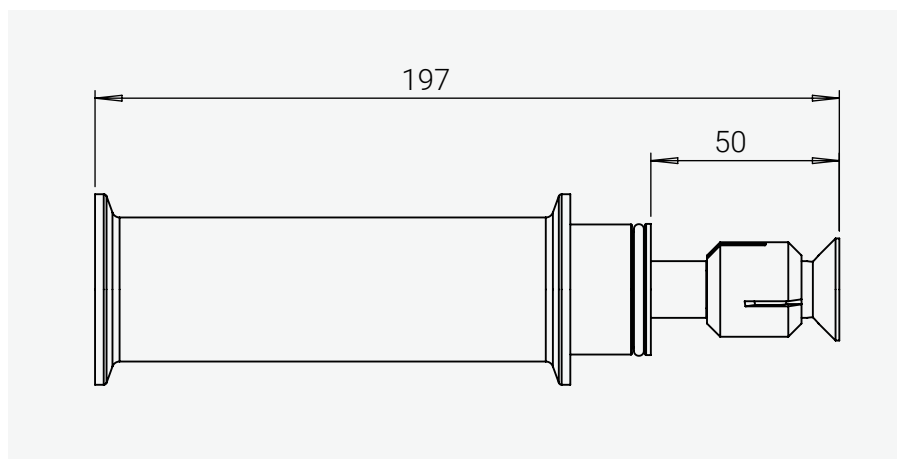
PNR CODING



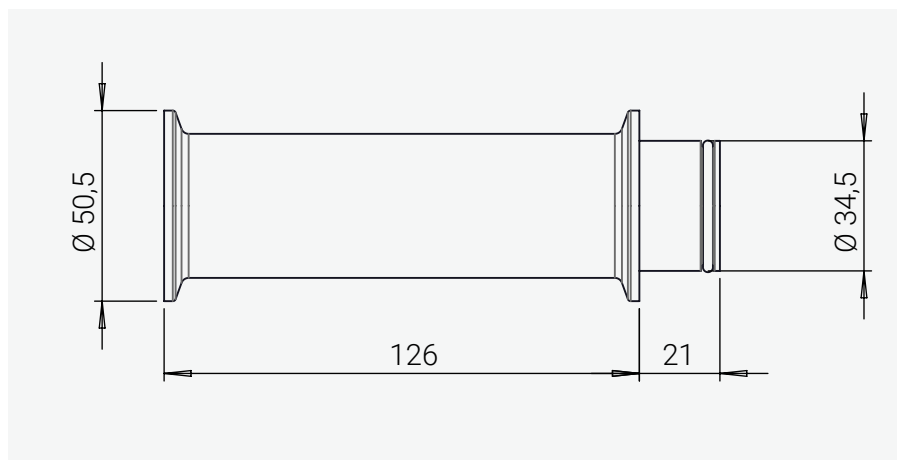
TECHNICAL DATA

FLOW RATE	15-20-25-30 l/min
TEMPERATURE MAX	90°C
BODY MATERIAL	AISI 316L stainless steel
COMPONENT MATERIAL	AISI 316L stainless steel VITON PTFE TEFLON
PRESSURE RANGE	3/7 bar
CONNECTION	Tri-clamp 1" 1/2
COVERAGE	320° up

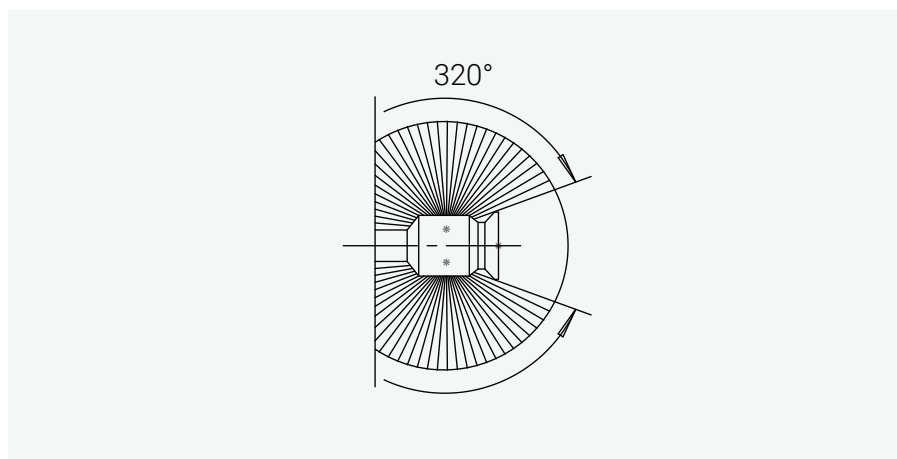
DIMENSIONAL DRAWING



The UKK stroke is 50 mm.
The overall length of the standard version is 197 mm.



The overall diameter of the UKK is 50,5 mm.
The distance between the tri-clamp connections is 126 mm.



The coverage guaranteed by the UKK washing head is 320° UP.